

ORBOT

PRODUCT CATALOG



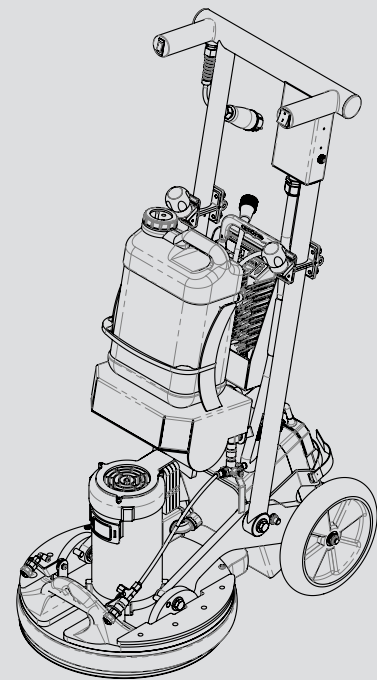
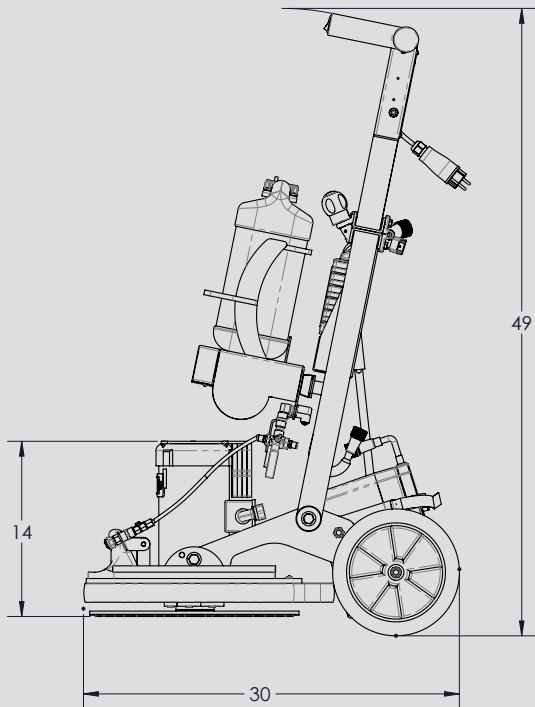
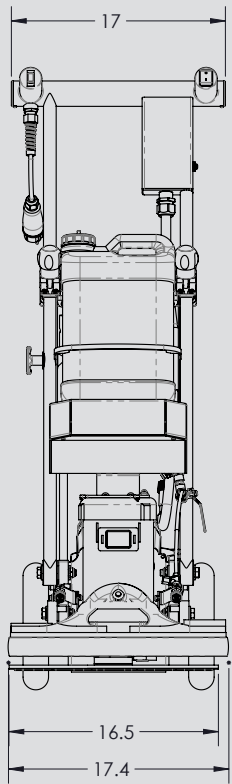
ORBOTUSA.COM

3275 Corporate View, Vista, CA 92081
P: 760.936.8054 E: Sales@orbotusa.com

B



A



B



A

CONTENTS

ORBOT	4-5
ORBOT Machines	6-31
- Orbot SLiM	8-11
- Orbot LiO	12-15
- Orbot Vibe	16-19
- Orbot SprayBorg	20-23
- Orbot LiFE	24-27
- 17" Comparisons	28-29
- Orbot Micro	30-31
Orbot Pads	32-41
Orbot Brushes	42-51
Orbot Accessories	52-58



ORBOT

A CLEAN YOU CAN TRUST

Our efforts are primarily focused on incorporating low-moisture green clean concepts with the use of orbital floor cleaning technology. Day in and day out, the world changes; as do industry needs. To accommodate these ever changing needs, our objective is to listen, innovate and deliver. ORBOT will improve the quality of your cleaning results, service, health and safety in your business or home.



ORBOT MACHINES

DISCOVER OUR WORLD-CLASS FLEET WITH DUAL-ACTION TECHNOLOGY

Dual-action orbital technology is the secret behind the unique cleaning effect of ORBOT machines. Meticulous and miraculous engineering incorporates our patented drive system combining two mechanical motions in one.

Our unique design provides a powerful form of vibration that generates an increased level of agitation, which is the principal factor for delivering superior results in all professional cleaning, scrubbing, grinding, stripping and polishing applications.



ORBOT SLiM

Lithium-ion Hybrid

LEAN, MEAN, FIGHTING MACHINE

SLENDER YET MIGHTY

The Orbot LiFe is the most versatile Lithium-ion battery powered, dual action orbital floor machine. It has been designed with the safest and latest innovation in lithium-ion battery technology, which means, you can freely and quickly deep clean your floor throughout the facility at any time of the day with no boundaries or concern for power outlets and trip hazards.

FAST CHARGE

Increase productivity with 120 minutes of charge time.

BATTERY MANAGEMENT SYSTEM (BMS)

For added safety and durability we've added a battery management system to protect the battery from being discharged and/or overcharged.

SKU: SLiM (Includes 1 battery & 1 Charger)





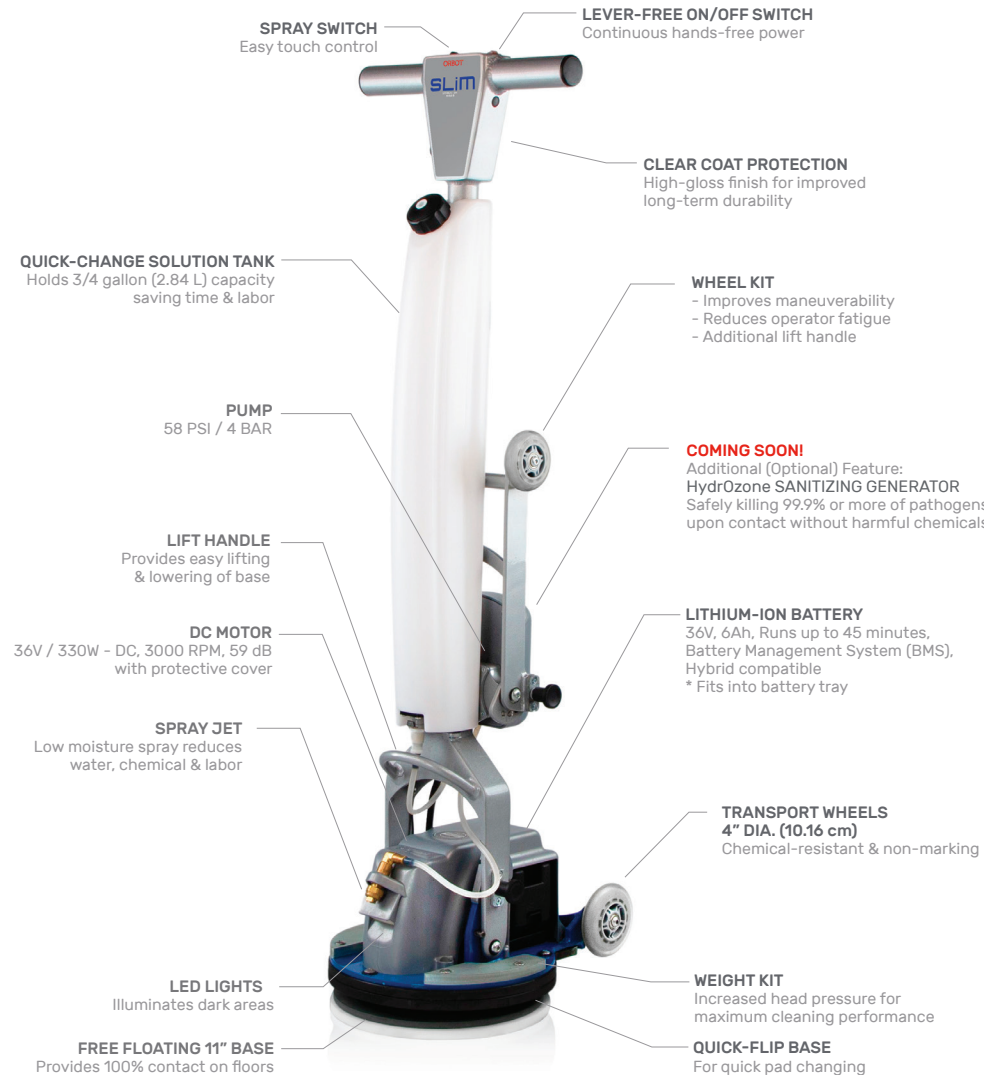
FEATURES & BENEFITS

ORBOT SLIM SPECIFICATIONS

- BASE DIAMETER 11 in / 27.9 cm
- MOTOR 36V, 330W DC
- DUAL RPM SPEED Orbital 3000 RPM + Rotational 120 RPM
- LITHIUM-ION battery 36V / 216Wh / 6Ah
- RUN TIME Up to 45 minutes (depending on floor/pad)
- CHARGE TIME 90 minutes
- NOISE LEVEL 59 dB
- WEIGHT 28 lbs + 6 w/tank & battery / 12.7 + 2.7 kg
- HEIGHT 47 in / 119 cm
- SOLUTION TANK CAPACITY 3/4 Gal / 2.84 L
- PUMP 58 PSI / 4 BAR
- WARRANTY 1 Year (See Warranty for Coverage)

CRI CERTIFIED

CRI's Seal of Approval (SOA) program is the carpet industry's only scientific program to test and measure the effectiveness of carpet cleaning products and equipment. The program helps consumers make informed decisions and helps manufacturers improve their products. The results are cleaner, healthier, and longer-lasting carpet.





INTRODUCING

ORBOT LiO

Lithium-ion Hybrid

IT'S GOOD TO BE THE KING

DELIVER MID-SIZED MIGHT

- Incredible dual battery system
- Lightweight and easy to carry
- Adjustable power for specific needs
- Free floating base allows 100% contact on floors
- Powerful 36 Volt/216 Watt DC motor
- Add a weight kit for maximum pressure to clean hard surfaces
- Compact 14" base gets into and out of tight spots

SKU: Lio14BC (Includes 1 battery & 1 Charger)



14" Machine





FEATURES & BENEFITS

ORBOT LIO SPECIFICATIONS

- BASE DIAMETER 14 in / 35.56 cm
- MOTOR 36V, 216W DC
- DUAL RPM SPEED Orbital 2200-3200 RPM + Rotational 120 RPM
- LITHIUM-ION battery 36V / 216Wh / 6Ah
- RUN TIME Up to 180 minutes (depending on floor/pad)
- CHARGE TIME 90 minutes
- NOISE LEVEL 59 dB
- WEIGHT 48 lbs + 9 lbs w/tank & batteries / 21.7 kg + 4.0 kg
- HEIGHT 47.5 in / 120.65 cm
- SOLUTION TANK CAPACITY 3/4 Gal / 2.84 L
- PUMP 58 PSI / 4 BAR
- WARRANTY 1 Year (See Warranty for Coverage)

CRI CERTIFIED

CRI's Seal of Approval (SOA) program is the carpet industry's only scientific program to test and measure the effectiveness of carpet cleaning products and equipment. The program helps consumers make informed decisions and helps manufacturers improve their products. The results are cleaner, healthier, and longer-lasting carpet.





ORBOT VIBE

DOES IT ALL, HELPS YOUR WALLET

AFFORDABLY SMOOTH

The ORBOT Vibe has been designed with a quick change pad system to easily change between cleaning, stripping, or restoring any floor. No need to purchase multiple machines to handle different jobs. Save yourself time and money by owning one machine that does it all.

The dual action orbital technology generates maximum agitation and vibration, providing superior results and floor care without damaging the floor surface.

The ORBOT Vibe is a true low-moisture machine. The amount of solution can be controlled at your fingertips with its 4.75-gallon on-board solution tank and fixed spray system, making the ORBOT Vibe one of most cost effective and versatile floor machines on the market.

The ORBOT Vibe combines our Orbital Technology with an on-board solution tank and fixed spray system to easily clean, strip, or restore any floor. The one machine that does it all, the ORBOT Vibe is low maintenance, easy to use and reduces labor costs.

SKU: HOSOV17



17" Machine





FEATURES & BENEFITS

ORBOT VIBE SPECIFICATIONS

- DRIVER DIAMETER 17 in / 43.18 cm
- MOTOR 1HP, 1400W 100-240V / 50-60Hz, AC
- DUAL SPEED Orbital 1725 RPM + Rotational 80 RPM
- NOISE LEVEL 59 dB
- WEIGHT 95 lbs / 43.09 Kg
- WHEEL DIAMETER 10 in / 25.4 cm
- SOLUTION TANK CAPACITY 4 Gal / 15.1 L
- PUMP 90 PSI / 6.2 BAR
- QUICK-CONNECT POWER CORD 50 ft / 15 m
- WARRANTY 2 Year (See Warranty for Coverage)

CRI CERTIFIED

CRI's Seal of Approval (SOA) program is the carpet industry's only scientific program to test and measure the effectiveness of carpet cleaning products and equipment. The program helps consumers make informed decisions and helps manufacturers improve their products. The results are cleaner, healthier, and longer-lasting carpet.





ORBOT SPRAYBORG

KEEP IT GOING, AND GOING, AND GOING

RELENTLESS PURSUIT

The ORBOT SprayBorg is the most versatile, compact commercial and residential orbital floor machine on the market. With it's unique driver system, assortment of pads and brushes, it can be used to clean, scrub, sand, strip and polish any carpet or hard floor.

QUICK CHANGE SOLUTION TANK

Save time and labor with a 3 gallon capacity. Pre-fill tanks and keep the job moving.

COMPACT SYSTEM

Folds down to 30" in height which makes the machine easy to transport and store.

FATIGUE-FREE VERTICAL HANDLE

Ergonomic design for comfortable cleaning & increased productivity.

QUICK-CHANGE VELCRO DRIVER SYSTEM

Can be removed and replaced within seconds.

LEVER-FREE ON/OFF SWITCH

Continuous hands-free power.

SKU: HOSOSB17



17" Machine

BAGGAGE CLAIM

Destination	Carrier	Flight	Time	Status
Dallas	AA	1111	11:15am	On Time
London	BA	201	9:30am	Landed
Chicago	UA	815	1:15pm	On Time
Dallas	AA	1111	2:25pm	On Time
Los Angeles	DL	123	10:25am	Landed

CAROUSEL 2



FEATURES & BENEFITS

ORBOT SPRAYBORG SPECIFICATIONS

- BASE DIAMETER 17 in / 43.18 cm
- MOTOR 1HP, 1400W 100-240V / 50-60Hz, AC
- DUAL SPEED Orbital 1725 RPM + Rotational 80 RPM
- NOISE LEVEL 59 dB
- WEIGHT 107 lbs / 48.5 kg
- Wheel Diameter 10 in / 25.4 cm
- SOLUTION TANK CAPACITY 3 Gal / 11.4 L
- PUMP 90 PSI / 6.2 BAR
- QUICK-CONNECT POWER CORD 50 ft / 15 m
- WARRANTY 3 Year (See Warranty for Coverage)

CRI CERTIFIED

CRI's Seal of Approval (SOA) program is the carpet industry's only scientific program to test and measure the effectiveness of carpet cleaning products and equipment. The program helps consumers make informed decisions and helps manufacturers improve their products. The results are cleaner, healthier, and longer-lasting carpet.





ORBOT LiFE

Lithium-ion Hybrid

LIVE A LIFE WITH OR WITHOUT CORDS ROAM FREE

The ORBOT LiFE has all the benefits of the ORBOT SprayBorg but with the added convenience, flexibility and portability of a battery. Designed with the safest and latest innovation in Lithium-ion battery technology, it guarantees a longer lasting battery life of up to 3500 cycles.

HYBRID FEATURE

Thanks to our advanced engineered Hybrid feature of both on and off-board charging, the ORBOT LiFE can continue cleaning when the battery is low by simply plugging the power cord into a wall socket. While in motion, the ORBOT LiFE continues to charge so you can get the job done.



Stay charged with the Discover Bluetooth® App that gives real-time access to battery State of Charge, voltage, operating current, temperature, and other information.

SKU: LiFE (Includes 1 battery & 1 Charger)







FEATURES & BENEFITS

ORBOT LIFE SPECIFICATIONS

- DRIVER DIAMETER 17 in / 43.18 cm
- MOTOR 3/4HP, 24V, DC
- DUAL SPEED Orbital 1725 RPM + Rotational 100 RPM
- NOISE LEVEL 59 dB
- WEIGHT 131 lbs / 59.42 Kg
- WHEEL DIAMETER 10 in / 25.4 cm
- SOLUTION TANK CAPACITY 3 Gal / 11.4 L
- PUMP 90 PSI / 6.2 BAR
- HYBRID QUICK-CONNECT POWER CORD 50 ft / 15 m
- WARRANTY 3 Year (See Warranty for Coverage)

CRI CERTIFIED

CRI's Seal of Approval (SOA) program is the carpet industry's only scientific program to test and measure the effectiveness of carpet cleaning products and equipment. The program helps consumers make informed decisions and helps manufacturers improve their products. The results are cleaner, healthier, and longer-lasting carpet.



FIND THE RIGHT FIT
17" MACHINE COMPARISONS

ORBOT VIBE



ORBOT SPRAYBORG



ORBOT LIFE
Lithium-Ion Hybrid



Description	ORBOT Vibe	ORBOT SprayBorg	ORBOT LiFE
Weight	95 lbs (43.09 kg)	111 lbs (50.35 kg)	131 lbs (59.42 kg)
Dual Speed	1725 rpm/orbital + 80 rpm/rotational	1725 rpm / orbital + 80 rpm / rotational	1725 rpm / orbital + 100 rpm / rotational
Motor Size - AC/DC	1HP motor 100-240V, 50/60Hz - AC	1HP motor 100-240V, 50/60Hz - AC	3/4HP motor 24V - DC
Pump	90 PSI / 6.2 BAR	90 PSI / 6.2 BAR	90 PSI / 6.2 BAR
Free Floating Base	✓ - (17" DIA.)	✓ - (17" DIA.)	✓ - (17" DIA.)
Transport Wheels	✓ - (10" DIA.)	✓ - (10" DIA.)	✓ - (10" DIA.)
Quick-Flip Base with Stand	✓	✓	✓
Quick-Connect Power Cord	✓	✓	✓
Power Cord Indicator Light (Int'l Only)	✓	✓	✓
Lever-Free On/Off Switch	✓	✓	✓
Quick-Change Velcro Driver Plate	✓	✓	✓
Clear Coat Protection	✓	✓	✓
Carpet & Rug Institute Approved	✓	✓	✓
Auxiliary Power Supply	✓	✓	✓
Quick-Change Solution Tank		✓	✓
Adjustable Spray Jets		✓	✓
Flow Control Valve		✓	✓
Fatigue-Free Vertical Handle		✓	✓
Fold Down Handle		✓	✓
Bluetooth App			✓
Hour Meter			✓
Battery			✓
Battery Management System (BMS)			✓
Hybrid (Lithium-ion + AC)			✓ up to 3 hours (depending on floor/pad)
120 Minute Quick Charger			✓
Warranty	✓ (1 Year)	✓ (1 Year)	✓ (1 Year)

ORBOT MICRO

STAY ENERGIZED WITH ORBOT MICRO

CLEAN BIG

Don't let the size fool you. Get into those tight spaces and hard to reach surfaces with our very own stair and upholstery tool.

The ORBOT Micro was designed to eliminate operator fatigue and discomfort while cleaning stairs and upholstery. The ORBOT Micro also offers the added design of 2 mounting positions for the cushioned extension handle.

Get an ORBOT Micro today. Your arms will thank you.

SKU: HOSOM





FEATURES & BENEFITS

ORBOT MICRO SPECIFICATIONS

- POWER SUPPLY 100-240V / AC / 220W
- MOTOR high-torque with metal cooling fan
- SPEED 3000 oscillations per minute
- OUTPUT 1/3 HP / .25 KW / 6Ah
- Machine WEIGHT 6.5 lbs / 2.9 kg
- Head rotation Clockwise
- PAD DIAMETER 4 in / 10.2 cm
- ELECTRIC CORD 9.5 in / 24.1 cm, 16 ga
- Body Material Diecast, precision machined aluminum

INNOVATIVE DESIGN

A robust & powerful hand-held tool that tackles stairs, walls, counter tops or any hard to reach areas.

ORBITAL TECHNOLOGY

The powerful motor provides added torque for extreme cleaning application.

DUAL ORBITAL DRIVERS

Increased cleaning efficiency and eliminates burns, gouges & swirl marks.

THREE FOOT HANDLE EXTENSION

For quick carpet spotting & hard to reach areas.

DUAL POSITION MOUNT

Allows for horizontal & 45 degree orientations.

CRI CERTIFIED

CRI's Seal of Approval (SOA) program is the carpet industry's only scientific program to test and measure the effectiveness of carpet cleaning products and equipment. The program helps consumers make informed decisions and helps manufacturers improve their products. The results are cleaner, healthier, and longer-lasting carpet.





ORBOT PADS

DELIVERING AN UNMATCHED CLEANING EXPERIENCE

The ORBOT pad family works on multiple types of flooring such as carpet, concrete, stone, tile, grout, VCT/vinyl, wood and more. Experience a deep clean like no other pads in the cleaning industry.

SuperZorb Pads and AgiClean Pads are oversized to prevent marring walls.



ORBOT PADS
11" ORBOT SLIM



SuperZorb Pads
Use for ultimate
absorption

SKU: SLRSZORB (case of 10)



MicroFiber Pads
Wring them out and
keep cleaning

SKU: SLMF (case of 5)



UltraLift Pads
Use to lift deep down
soil & grease

SKU: SLRULTRA (case of 5)



AkwaStrip Pads
Use to efficiently
strip wax

SKU: SLSTRIP (case of 10)



McMuffin Meals £3.19

Extra Value Meals £4.88

Assistance Available

McDonald's

HAPPY readers
£1 BOOK OFFER
PRE-ORDER with me!
LET'S HAVE DESPICIBLE FUN!
GET YOURS FOR MORE DESPICIBLE FUN!

ORBOT PADS

14" ORBOT LIO AND 17" ORBOT VIBE, SPRAYBORG & LIFE



SuperZorb Pads

Use for ultimate absorption

14" ORBOT LiO
SKU: HOSSZP14 (case of 10)

17" Machines
SKU: HOSSZP21 (case of 10)



UltraLift Pads

Use to lift deep down soil & grease

14" ORBOT Li]
SKU: HOSMP14U (case of 10)

17" Machines
SKU: HOSMP17U (case of 5)



AgiClean Pads

Use to liberate hard to remove soil

14" ORBOT LiO
SKU: HOSACP14 (case of 10)

17" Machines
SKU: HOSACP19 (case of 5)



AkwaStrip Pads

Use to efficiently strip wax

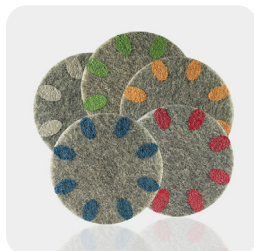
14" ORBOT LiO
SKU: HOSASP14 (case of 10)

17" Machines
SKU: HOSASP17 (case of 10)



ORBOT ACCESSORIES

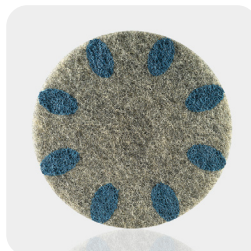
STONE FLASH PADS FOR 11" SLIM & 17" MACHINES



STONEFLASH COMPLETE KIT

Grind, hone & polish
(Steps 1-5)

11" Set SKU: SSFS
14" Set SKU: SF14
17" Set SKU: SFOPS



STONEFLASH STEP 1

Removal of deep scratches/grinding

11" SKU: SSF1
14" Set SKU: SF14S1
17" SKU: SFOPS1



STONEFLASH STEP 2

Removal of medium scratches

11" SKU: SSF2
14" Set SKU: SF14S2
17" SKU: SFOPS2



STONEFLASH STEP 3

Removal of light scratches/hone finish

11" SKU: SSFS3
14" Set SKU: SF14S3
17" SKU: SFOPS3



STONEFLASH STEP 4

Use for polish preparation

11" SKU: SSFS4
14" Set SKU: SF14S4
17" SKU: SFOPS4



STONEFLASH STEP 5

Use for a high-gloss polish

11" SKU: SSFS5
14" Set SKU: SF14S5
17" SKU: SFOPS5

NOTE: StoneFlash Pads require the use of the Orbot Wight Kit, item #HOS040WK accept when using the SLiM machine.



ORBOT BRUSHES
PADS FOR ORBOT MICRO



SuperZorb Pads
Use for ultimate
absorption

SKU: HOSOMSZP (case of 10)



AkwaStrip Pads
Use to efficiently
strip wax

SKU: HOSOMASP (case of 10)



**Micro Velcro Driver
Pads** stick to the Velcro
driver and won't slip

SKU: HOSOMSZDP



ORBOT BRUSHES

GET INTO EVERY NOOK & CRANNY

The ORBOT pad family works on multiple types of flooring such as carpet, concrete, stone, tile, grout, VCT/vinyl, wood and more. Experience a deep clean like no other pads in the cleaning industry.



ORBOT BRUSHES

INTRODUCING ORBOT'S NEW LINE OF SPEEDFLEX BRUSHES

ORBOT SPEEDFLEX

DON'T JUST CLEAN, RESTORE!



Faster

Deep cleans in one pass



Cleaner

Reaches difficult low spots



Greener

Low moisture cleaning



Newer

Revives grout and hard surfaces



Safer

Simple Velcro® on/off



Better

Innovative scrubbing power



Quick Change

No tools required



**SpeedFlex
Tile & Grout Brush**

Indoor hard surfaces
Tile & Grout

14" ORBOT LiO - SCU: OSFB14GY
17" Machines - SCU: OSFB17GY



**SpeedFlex
Concrete Brush**

Outdoor hard surfaces
Concrete & Asphalt

14" ORBOT LiO - SCU: OSFB14BL
17" ORBOT Machines - SCU: OSFB17BL



Providing access to clean drinking water around the world
In addition to creating a sleek, sustainable cleaning process using
no drums or water savings, iClean replaces every drop of water that
we use in our cleaning operations by producing 100% of fresh water
from water wells that produce an abundant source of fresh water.

ORBOT BRUSHES

11" ORBOT SLIM



SpeedFlex
Tile & Grout Brush
Use on smooth or hard
surfaces

SKU: OSFB11GY



SpeedFlex
Concrete Brush
Use on concrete &
rough surfaces

SKU: OSFB11BL



SpeedFlex Micro
Tile & Grout Brush
Use to get into the tiniest
crevasses

SKU: SLRCBRUSH



ORBOT BRUSHES

14" ORBOT LIO, 17" ORBOT VIBE, SPRAYBORG & LIFE



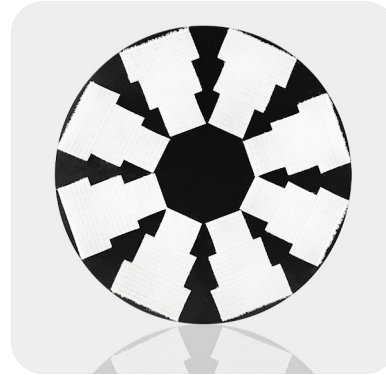
SpeedFlex
Tile & Grout Brush
Use on smooth or hard
surfaces

14" ORBOT Lio - SKU: OSFB14GY
17" ORBOT Machines - SKU: OSFB17GY



SpeedFlex
Concrete Brush
Use on concrete &
rough surfaces

14" ORBOT Lio - SKU: OSFB14BL
17" ORBOT Machines - SKU: OSFB17BL



SpeedFlex Micro
Scrub Brush
Use on hard & soft surfaces
to lift dirt from tiny pores

14" ORBOT Lio - SKU: CPBR14
17" ORBOT Machines - SKU: CPBR01



ORBOT BRUSHES
ORBOT MICRO



Micro Gray Brush
Ideal for delicate
surfaces

SKU: HOSOMGB



Micro Aqua Brush
For commercial stairs
and carpet

SKU: HOSOMAB



Micro White Brush
For more vigorous
cleaning

SKU: HOSOMWB



Micro Black Brush
Exceptional scrubbing
power

SKU: HOSOMBB



ORBOT ACCESSORIES

THE ADD-ONS THAT MAKE ALL THE DIFFERENCE

With numerous innovations, we ensure that cleaning becomes quicker, simpler and more cost effective. The ORBOT system has fantastic cleaning results on multiple floor types simply by utilizing our patented orbital dual-action technology along with the correct ORBOT accessory on the floor you are cleaning, scrubbing, grinding, stripping or polishing.



ORBOT ACCESSORIES

ENVIRON ENCAPSULATION CLEANER

FOR A SAFE, COMPLETE, AND DEEP DOWN CLEAN

EXPERIENCE TREMENDOUS SOIL EXTRACTION, FAST DRY TIMES, NO REOCCURRING STAINS, AND A HEALTHIER ENVIRONMENT.

ENVIRON HP is our exclusive green Encapsulation Cleaner (Highly Concentrated) that assists in making the ORBOT system complete.

When you combine the ENVIRON HP green cleaner with our exclusive orbital drive technology and accessory pads, you will attain tremendous soil extraction, fast dry times, no reoccurring stains and a healthier environment for homes and commercial settings.

HOW ENVIRON HP WORKS WITH ORBITAL DRIVE TECHNOLOGY

The orbital drive of the ORBOT generates hundreds of small oscillations that spin at roughly 1725 revolutions per minute. This orbital drive pattern allows for all sides of the carpet fibers

to be agitated and therefore all of the soil will be effectively removed from the carpet fiber.

To ensure that the agitated soil will not stick to the carpet fiber again, a polymer is needed to trap and encapsulate these soil particles. The polymer element in ENVIRON HP will form distinct crystals when it dries. These crystals are the principle vehicles that stop wicking or the reoccurring of stains. They also enable the soil particles to be extracted through post-vacuuming while keeping carpets cleaner for longer periods of time.

Encapsulating polymers combined with an organic soil releaser and enhanced with the cleaning power of hydrogen peroxide.

Per gallon dilutions with hot or cold water:

Light = 1 oz. 1:128

Medium = 2 – 3 oz. 1:64 – 1:42

Heavy = 4 oz. 1:32



Encapsulating polymers combined with an organic soil releaser and enhanced with the cleaning power of hydrogen peroxide.

Cleans up to 12,000 sq. ft. with the ORBOT Method.

Makes up to 32 gallons or 120 liters.

SKU: HOSEHP4G

4oz/gallon (case 4 Gals.)

SKU: HOSEHP12Q

4oz/gallon (case 12 Quarts.)

ORBOT ACCESSORIES

ADD-ONS FOR ORBOT SLIM & ORBOT LIO



Lithium-Ion
Battery
36V, 6AH (BMS)

SKU: SLIM BATTERY
SKU: LiO BATTERY



Replacement
Charger
Universal On/Off

SKU: SLIM CHARGER
SKU: LiO CHARGER



Quick-Change
Solution Tank
Holds 3/4 gallon (2.84L)

SKU: QCTANK

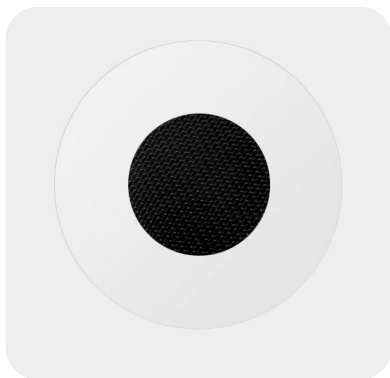


Environ
Encapsulation
Cleaner

SKU: HOSEHP4G
4oz/gallon (case 4 Gals.)

ORBOT ACCESSORIES

ADD-ONS FOR ORBOT LIO, VIBE, SPRAYBORG & LIFE



Carpet Glider
Helps glide over carpet
by creating less friction

SKU: CPTGLIDER



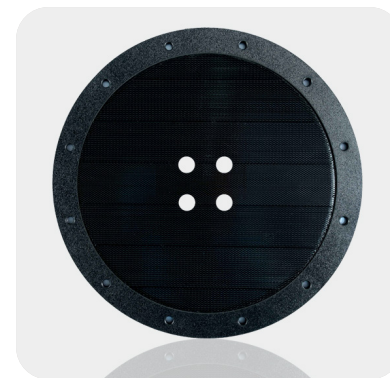
Weight Kit
Designed for use on all
hard floor applications

14" ORBOT LiO (24 Lbs)
SKU: HOS040WK14
17" ORBOT Machines (40 Lbs)
SKU: HOS040WK



Velcro Driver Kit
Velcro driver plate, ring
& mounting screws

14" ORBOT LiO - SKU: MFDKIT14
17" ORBOT Machines - SKU: MFDKIT17



Velcro Driver Plate
Replace driver plates as
routine maintenance

14" ORBOT LiO - SKU: MFVDP14
17" ORBOT Machines - SKU: MFVDP17

ORBOT ACCESSORIES

ADD-ONS FOR ORBOT VIBE, SPRAYBORG & LIFE



Splash Guard
Reduce clean up time.

17" ORBOT Machines - SKU: HOSSG17



ORBOT TECKPACK
Organize all of your
ORBOT accessories!

SKU: HOSTP



**Environ
Encapsulation
Cleaner**

SKU: HOSEHP4G
4oz/gallon (case 4 Gals.)



**ORBOT BOTTLE
CARTRIDGE**
Additional or Replacement

SKU: HOSOSBBC
For ORBOT SprayBorg
& ORBOT LiFE only

ORBOT

CLEAN. RENEW. AMAZE.



ORBOT



ORBOTUSA.COM

3275 Corporate View, Vista, CA 92081 | 760.936.8054 | Sales@orbotusa.com